



ON Semiconductor®

<http://onsemi.com>

# LV8762T

Monolithic Linear IC

## Forward/Reverse H-bridge Driver

### Overview

The LV8762T is an 1ch H-bridge driver that can control four operation modes (forward, reverse, brake, and standby) of a motor. The IC is optimal for use in driving brushed DC motors for office equipment.

### Function

- Forward/reverse H-bridge motor driver: 1 channel
- $I_{Omax} = 1A$
- Built-in current limiter
- Current limit mask function
- Built-in thermal shutdown circuit
- Alert signal output
- Single power supply
- Built-in short-circuit protection function (selectable from latch-type or auto reset-type).

### Specifications

#### Absolute Maximum Ratings at $T_a = 25^\circ C$

Parameter	Symbol	Conditions	Ratings	Unit
Supply voltage	$V_M$ max		36	V
Output peak current	$I_O$ peak	$t_w \leq 10ms$ , duty 20%	1.5	A
Output continuous current	$I_O$ max		1.0	A
Logic input voltage	$V_{IN}$ max	ST, IN1, IN2, EMM	-0.3 to +6	V
EMO pin input voltage	$V_{EMO}$		-0.3 to +6	V
Allowable power dissipation	$P_d$ max	Mounted on a specified board. *	1.4	W
Operating temperature	$T_{opr}$		-20 to +85	$^\circ C$
Storage temperature	$T_{stg}$		-55 to +150	$^\circ C$

\* Specified circuit board : 57mm×57mm×1.6mm, glass epoxy both-type board.

Caution 1) Absolute maximum ratings represent the value which cannot be exceeded for any length of time.

Caution 2) Even when the device is used within the range of absolute maximum ratings, as a result of continuous usage under high temperature, high current, high voltage, or drastic temperature change, the reliability of the IC may be degraded. Please contact us for the further details.

Stresses exceeding Maximum Ratings may damage the device. Maximum Ratings are stress ratings only. Functional operation above the Recommended Operating Conditions is not implied. Extended exposure to stresses above the Recommended Operating Conditions may affect device reliability.

#### Allowable Operating Ratings at $T_a = 25^\circ C$

Parameter	Symbol	Conditions	Ratings	Unit
Supply voltage range	$V_M$		9 to 32	V
VREF input voltage	$V_{REF}$		0 to 3	V
Logic input voltage	$V_{IN}$	ST, IN1, IN2, EMM	0 to 5.5	V

### ORDERING INFORMATION

See detailed ordering and shipping information on page 13 of this data sheet.

# LV8762T

**Electrical Characteristics** at  $T_a = 25^\circ\text{C}$ ,  $V_M = 24\text{V}$ ,  $V_{REF} = 1.5\text{V}$

Parameter	Symbol	Conditions	Ratings			Unit	
			min	typ	max		
<b>General</b>							
Standby mode current drain	IMst	ST = "L"		100	400	$\mu\text{A}$	
Operating mode current drain	IM	ST = "H", IN1 = "H", IN2 = "L", with no load		3	5	mA	
REG5 output voltage	VREG	$I_O = -1\text{mA}$	4.5	5	5.5	V	
Thermal shutdown temperature	TSD	Design guarantee *	150	180	200	$^\circ\text{C}$	
Thermal hysteresis width	$\Delta\text{TSD}$	Design guarantee *		40		$^\circ\text{C}$	
<b>Output block</b>							
Output on resistance	RonU	$I_O = 1\text{A}$ , upper side ON resistance		0.75	0.97	$\Omega$	
	RonD	$I_O = -1\text{A}$ , under side ON resistance		0.5	0.65	$\Omega$	
Output leakage current	$I_{O\text{leak}}$	$V_O = 32\text{V}$			50	$\mu\text{A}$	
Diode forward voltage	VD	$I_D = -1\text{A}$		1.2	1.4	V	
Rising time	tr	10% to 90%		100	200	ns	
Falling time	tf	90% to 10%		100	200	ns	
Input output delay time	tpLH	IN1 to OUTA, IN2 to OUTB (L $\rightarrow$ H)		550	750	ns	
	tpHL	IN1 to OUTA, IN2 to OUTB (H $\rightarrow$ L)		550	750	ns	
<b>Control system input block</b>							
Logic input voltage	High	$V_{INH}$	ST, IN1, IN2, EMM		2.0	5.5	V
	Low	$V_{INL}$			0	0.8	V
Logic pin input current 1	$I_{INL}$	ST, IN1, IN2, EMM $V_{IN} = 0.8\text{V}$	4	8	12	$\mu\text{A}$	
	$I_{INH}$	$V_{IN} = 5\text{V}$	30	50	70	$\mu\text{A}$	
VREF input current	IREF	$V_{REF} = 1.5\text{V}$	-0.5			$\mu\text{A}$	
Current limit comparator threshold voltage	Vtlim	$V_{REF} = 1.5\text{V}$	0.291	0.3	0.309	V	
CHOP pin charge current	$I_{CHOP}$		-6.5	-5	-3.5	$\mu\text{A}$	
CHOP pin threshold voltage	$V_{tCHOP}$		0.8	1	1.2	V	
CMK pin charge current	$I_{CMK}$		-32.5	-25	-17.5	$\mu\text{A}$	
CMK pin threshold voltage	$V_{tCMK}$		1.2	1.5	1.8	V	
<b>Charge pump block</b>							
Step-up voltage	VGH	$V_M = 24\text{V}$	27.7	28.7	29.7	V	
Rising time	tONG	$V_G = 0.1\mu\text{F}$		250	550	$\mu\text{s}$	
Oscillation frequency	Fcp		90	125	155	kHz	
<b>Short-circuit protection block</b>							
EMO output saturation voltage	$V_{EMO}$	$I_{EMO} = 1\text{mA}$			0.4	V	
SCP pin charge current	$I_{SCP}$	SCP = 0V	-6.5	-5	-3.5	$\mu\text{A}$	
Comparator threshold voltage	$V_{tSCP}$		0.8	1	1.2	V	

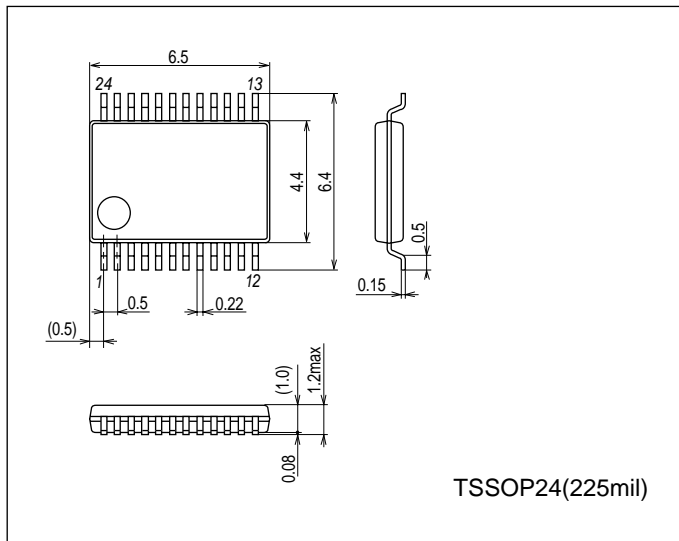
\* Design guarantee value and no measurement is made.

# LV8762T

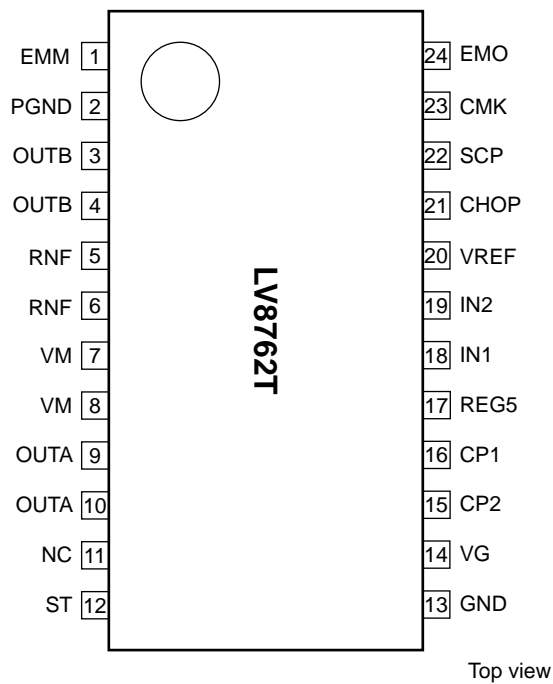
## Package Dimensions

unit : mm (typ)

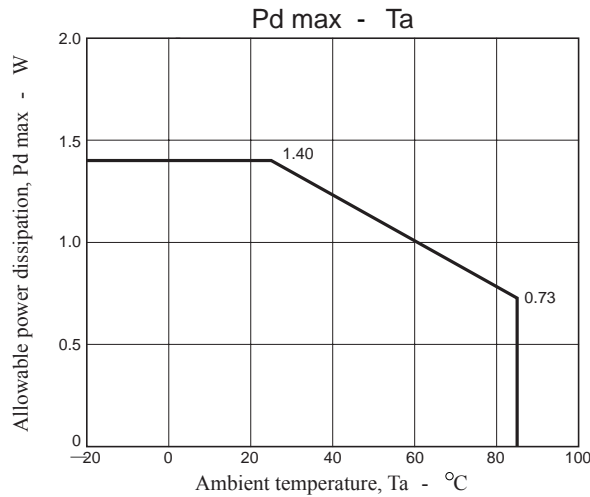
3260A



## Pin Assignment

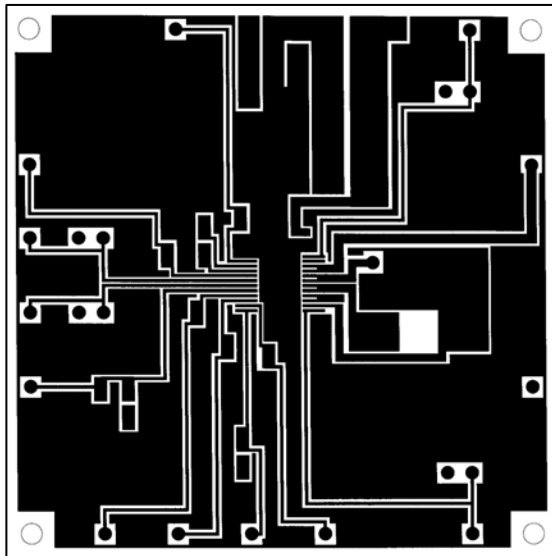


# LV8762T

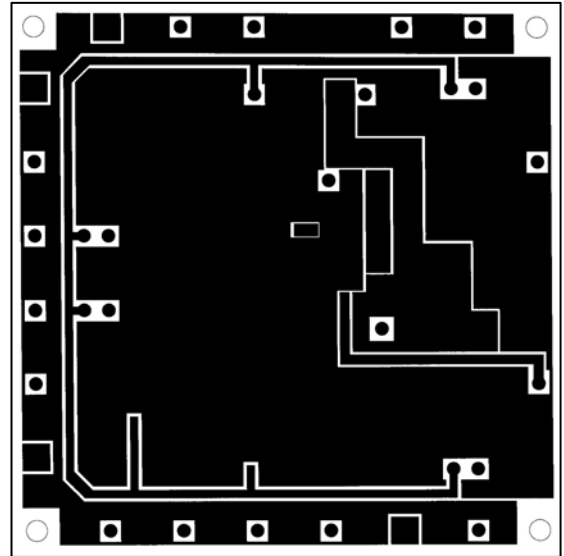


## Substrate Specifications (Substrate recommended for operation of LV8762T)

Size : 57mm × 57mm × 1.6mm (two-layer substrate)  
Material : Glass epoxy both-type board



L1 : Copper wiring pattern diagram

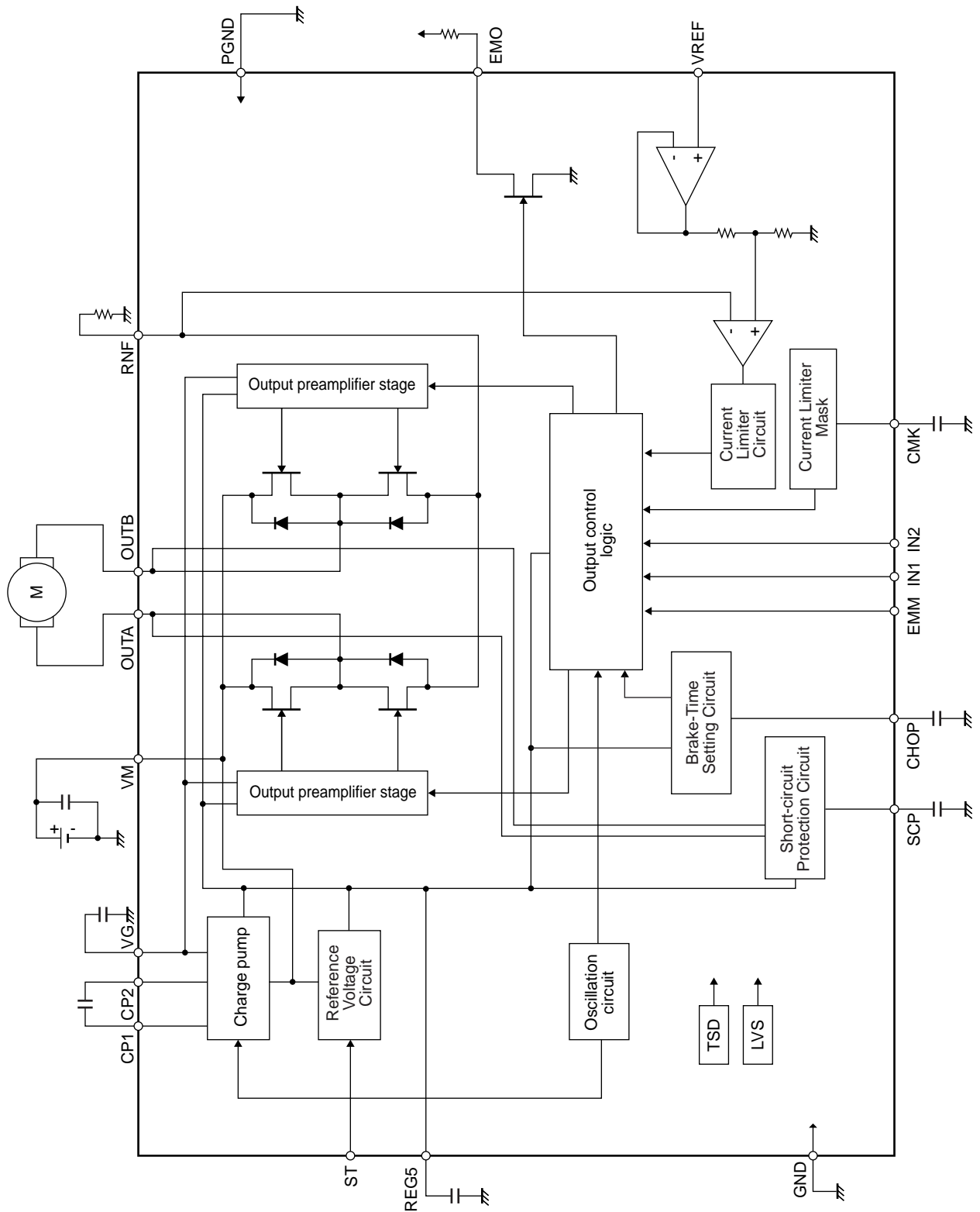


L2 : Copper wiring pattern diagram

## Cautions

- 1) For the set design, employ the derating design with sufficient margin.  
Stresses to be derated include the voltage, current, junction temperature, power loss, and mechanical stresses such as vibration, impact, and tension.  
Accordingly, the design must ensure these stresses to be as low or small as possible.  
The guideline for ordinary derating is shown below :
  - (1)Maximum value 80% or less for the voltage rating
  - (2)Maximum value 80% or less for the current rating
  - (3)Maximum value 80% or less for the temperature rating
- 2) After the set design, be sure to verify the design with the actual product.  
Confirm the solder joint state and verify also the reliability of solder joint for the Exposed Die-Pad, etc.  
Any void or deterioration, if observed in the solder joint of these parts, causes deteriorated thermal conduction, possibly resulting in thermal destruction of IC.

Block Diagram



# LV8762T

## Pin Functions

Pin No.	Pin Name	Pin Function	Equivalent Circuit
18 19 1	IN1 IN2 EMM	Output control signal input pin 1. Output control signal input pin 2. Short protection mode setting.	
12	ST	Standby mode setting	
9, 10 3, 4 7, 8 5, 6 2	OUTA OUTB VM RNF PGND	OUTA output pin. OUTB output pin. Motor power-supply connection pin. Current sense resistor connection pin. Power ground.	
14 8 16 15	VG VM CP1 CP2	Charge pump capacitor connection pin. Motor power-supply connection pin. Charge pump capacitor connection pin. Charge pump capacitor connection pin.	

Continued on next page.

# LV8762T

Continued from preceding page.

Pin No.	Pin Name	Pin Function	Equivalent Circuit
20	VREF	Reference voltage input pin for output current limit setting.	
17	REG5	Internal reference voltage output pin.	
24	EMO	Alert signal output	
21 22	CHOP SCP	Capacitor connection for current limit break time setting Capacitor connection for short detection time setting	
23	CMK	Capacitor connection for current limit mask setting	

## Description of operation

### 1. Input Pin Function

Each input terminal has the function to prevent the flow of the current from an input to a power supply. Therefore, Even if a power supply(VM) is turned off in the state that applied voltage to an input terminal, the electric current does not flow into the power supply.

#### 1-1) Chip enable function

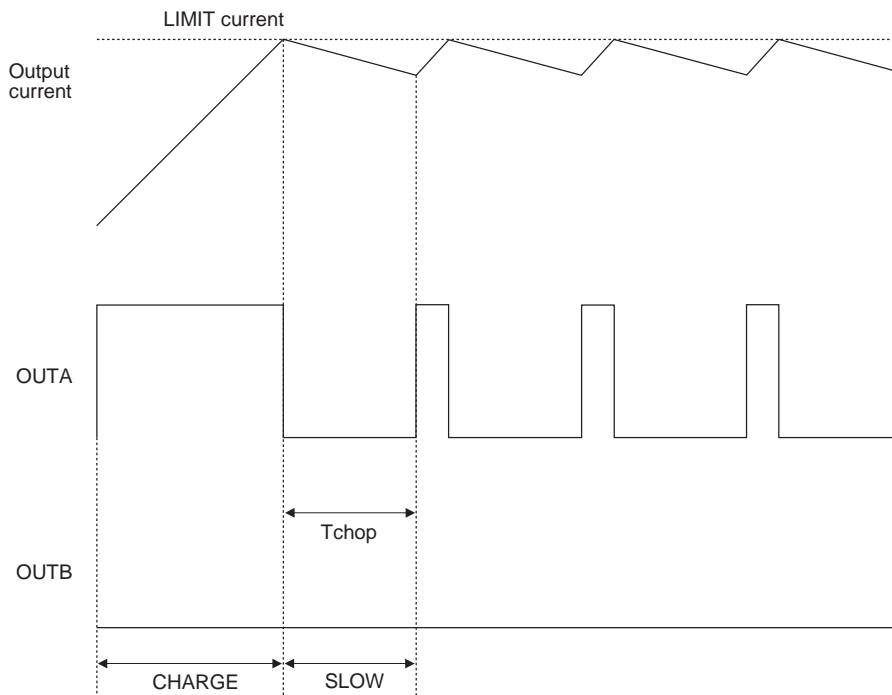
This IC is switched between standby and operating mode by setting the ST pin. In standby mode, the IC is set to power-save mode and all logic is reset. In addition, the internal regulator circuit and charge pump circuit do not operate in standby mode.

ST	mode	Internal regulator	Charge pump
"L" or OPEN	Standby mode	standby	standby
"H"	Operation mode	operation	operation

#### 1-2) DCM output control logic

Contol Input			Output		Mode
ST	IN1	IN2	OUTA	OUTB	
L	*	*	OFF	OFF	Standby
H	L	L	OFF	OFF	Output OFF
H	H	L	H	L	CW (forward)
H	L	H	L	H	CCW (reverse)
H	H	H	L	L	Brake

#### 1-3) Current limit control timing chart





1-4) Setting the time of current limit brake value

This IC can set the time of the current limit break by connecting the capacitor with CHOP-GND.  
The value of the capacitor is decided according to the following expression.

$$\text{brake time: } T_{\text{CHOP}} \approx C_{\text{CHOP}} \times V_{\text{tCHOP}} \div I_{\text{CHOP}} [\text{sec}]$$

$V_{\text{tCHOP}}$ :CHOP comparator threshold voltage. TYP=1.0[V]  
 $I_{\text{CHOP}}$ :CHOP charge current. TYP=5[μA]

ex.  $C_{\text{chop}}=50[\text{pF}]$   
 $T_{\text{chop}}[\text{sec}] = 50[\text{pF}] \times 1.0[\text{V}] \div 5[\mu\text{A}] = 10[\mu\text{s}]$

1-5)Setting the current limit value

The current limit value of the DCM driver is determined by the VREF voltage and the resistance (RNF) connected across the RNF and GND pins using the following formula :

$$I_{\text{limit}} [\text{A}] \approx (V_{\text{REF}} [\text{V}] \div 5) \div R_{\text{NF}} [\Omega]$$

Assuming  $V_{\text{REF}} = 1.5\text{V}$ ,  $R_{\text{NF}} = 1\Omega$ , the current limit is :

$$I_{\text{limit}} = 1.5\text{V} \div 5 \div 1\Omega = 0.3\text{A}$$

1-6) Setting the mask of current limit

CMK	mask of current limit
"L"	no operation
"H" or OPEN	operation

This function can be switched by CMK pin.

This function can prevent the current limit from working by the motor start-up current when the current limit value is set low.

1-7) Setting the time of the mask of current limit

This IC can set the time of the mask of current limit by connection the capacitor with CMK-GND.  
The value of the capacitor is decided according to the following expression.

$$\text{Time of mask: } T_{\text{CMK}} \approx C_{\text{CMK}} \times V_{\text{tCMK}} \div I_{\text{CMK}} [\text{sec}]$$

$V_{\text{tCMK}}$ :CMK comparator threshold voltage. TYP=1.0[V]  
 $I_{\text{CMK}}$ :CMK charge current. TYP=25[μA]

ex.  $C_{\text{CMK}}=0.1[\mu\text{F}]$   
 $T_{\text{CMK}}[\text{sec}] = 0.1[\mu\text{F}] \times 1.5[\text{V}] \div 25[\mu\text{A}] = 6[\text{ms}]$

**2.Output short-circuit protection function**

This IC incorporates an output short-circuit protection circuit. It turns the output off to prevent destruction of the IC if a problem such as an output pin being shorted to the motor power supply or ground occurs.  
Then short-circuit detected, alert signal is assert to EMO pin.

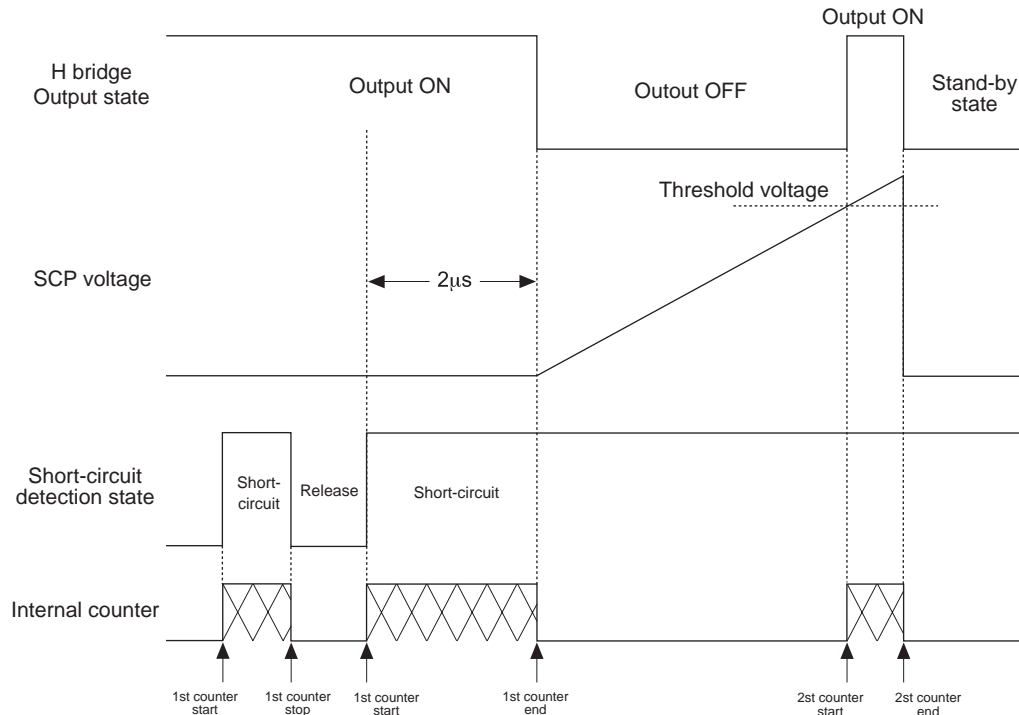
2-1) Output short protect mode

This function can be switched by EMM pin. EMM pin is L or OPEN then latch method, H then auto-retry method.

EMM Pin	Method
"L" or OPEN	Latch
"H"	Auto retry

## 2-2) Protection function operation (Latch method)

The short-circuit protection circuit is activated when it detects the output short-circuit state. If the short-circuit state continues for the internally preset period ( $\approx 2\mu\text{s}$ ), the protection circuit turns off the output from which the short-circuit state has been detected. Then it turns the output on again after a lapse of the timer latch time ( $T_{\text{SCP}}$ ) described later. If the short-circuit state is still detected, it changes all the outputs to the standby mode and retains the state. The latched state is released by setting the ST to L.



## 2-3) Protection function operation (Auto retry method)

In this mode, short-protection function try repeatedly to detecting short-circuit.

The short-circuit detection circuit operates when a short output is detected as well as the latch method. The output is switched to the standby mode when the operation of the short-circuit detection circuit exceeds time ( $T_{\text{SCP}}$ ) of the timer latch, and it returns to the turning on mode again after  $2\text{ms}(\text{typ})$ . At this time, the switching mode is repeated when is still in the overcurrent mode until the overcurrent mode is made clear.

## 2-4) Unusual Condition Warning Output Pin (EMO)

The LV8762T is provided with the EMO pin which notifies the CPU of an unusual condition if the protection circuit operates by detecting an abnormal condition of the IC. This pin is of the open-drain output type, and if abnormality is detected, the EMO output becomes (EMO=L) of on.

The EMO pin is placed in the ON state when one of the following conditions occurs.

1. Shorting-to-power or shorting-to-ground occurs at the output pin and the output short-circuit protection circuit is activated.
2. The IC junction temperature rises and the thermal protection circuit is activated.

## 2-5) Timer latch-up ( $T_{\text{SCP}}$ )

The user can set the time at which the outputs are turned off when a short-circuit occurs by connecting a capacitor ( $C_{\text{SCP}}$ ) across the SCP and GND pins. The value of the capacitor ( $C_{\text{SCP}}$ ) can be determined by the following formula :

Timer latch-up :  $T_{\text{SCP}}$

$$T_{\text{SCP}} \approx C_{\text{SCP}} \times V_{\text{tSCP}} \div I_{\text{SCP}} [\text{sec}]$$

$V_{\text{tSCP}}$  : Comparator threshold voltage (1V typical)

$I_{\text{SCP}}$  : SCP charge current ( $5\mu\text{A}$  typical)

### 3. Thermal shutdown function

The thermal shutdown circuit is included, and the output is turned off when junction temperature  $T_j$  exceeds  $180^\circ\text{C}$ , and the abnormal state warning output (EMO pin) is turned on at the same time.

When the temperature falls hysteresis level, output is driven again (automatic restoration) The thermal shutdown circuit doesn't guarantee protection of the set and the destruction prevention because it works at the temperature that is higher than rating ( $T_{j\text{max}}=150^\circ\text{C}$ ) of the junction temperature

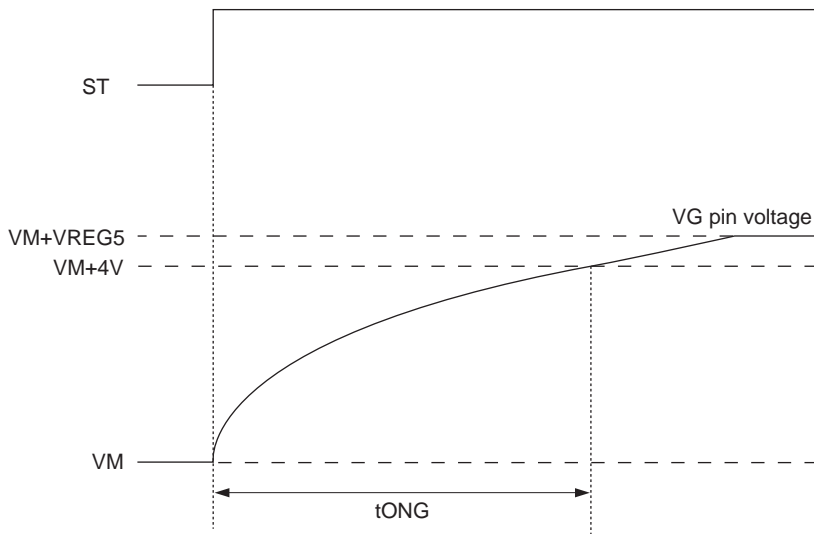
$T_{SD}=180^\circ\text{C}$  (typ)

$\Delta T_{SD}=40^\circ\text{C}$  (typ)

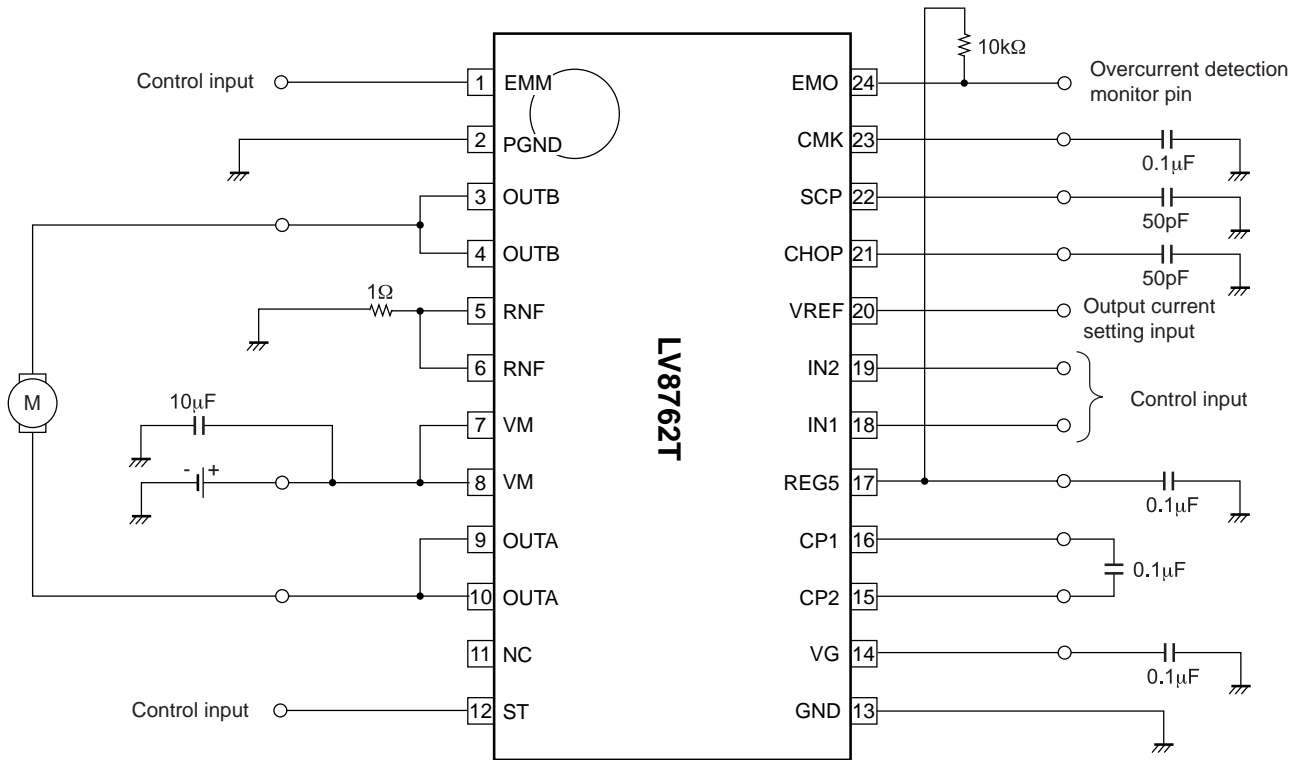
### 4. Charge pump Circuit

When the ST pin is set High, the charge pump circuit operates and the VG pin voltage is boosted from the VM voltage to the  $VM+V_{REG5}$  voltage.

If the VG pin voltage is not boosted to  $VM+4V$  or more, the output pin cannot be turned on. Therefore it is recommended that the drive of the motor is started after the time has passed  $t_{ONG}$  or more.



5.Application Circuit Example



Current limit value

When  $V_{REF} = 1.5V$ ,

$$I_{limit} = V_{ref} \div 5 \div R_{NF} \\ = 1.5V \div 5 \div 1\Omega = 0.3A$$

Setting the current limit regeneration time and short-circuit detection time

$$T_{SCP} \approx C_{SCP} \times V_{tSCP} \div I_{SCP} \\ = 50pF \times 1V \div 5\mu A = 10\mu s$$

Setting at current limit mask time

$$T_{CMK} \approx C_{CMK} \times V_{tCMK} \div I_{CMK} \\ = 0.1\mu F \times 1.5V \div 25\mu A = 6ms$$

Setting at current limit brake time

$$T_{CHOP} \approx C_{CHOP} \times V_{tCHOP} \div I_{CHOP} \\ = 50pF \times 1V \div 5\mu A = 10\mu s$$

\* The external part constant is a reference value.

**ORDERING INFORMATION**

Device	Package	Shipping (Qty / Packing)
LV8762T-TLM-H	TSSOP24 (225mil) (Pb-Free / Halogen-Free)	2000 / Tape & Reel
LV8762T-MPB-H	TSSOP24 (225mil) (Pb-Free / Halogen-Free)	70 / Fan-Fold

ON Semiconductor and the ON logo are registered trademarks of Semiconductor Components Industries, LLC (SCILLC). SCILLC owns the rights to a number of patents, trademarks, copyrights, trade secrets, and other intellectual property. A listing of SCILLC's product/patent coverage may be accessed at [www.onsemi.com/site/pdf/Patent-Marking.pdf](http://www.onsemi.com/site/pdf/Patent-Marking.pdf). SCILLC reserves the right to make changes without further notice to any products herein. SCILLC makes no warranty, representation or guarantee regarding the suitability of its products for any particular purpose, nor does SCILLC assume any liability arising out of the application or use of any product or circuit, and specifically disclaims any and all liability, including without limitation special, consequential or incidental damages. "Typical" parameters which may be provided in SCILLC data sheets and/or specifications can and do vary in different applications and actual performance may vary over time. All operating parameters, including "Typicals" must be validated for each customer application by customer's technical experts. SCILLC does not convey any license under its patent rights nor the rights of others. SCILLC products are not designed, intended, or authorized for use as components in systems intended for surgical implant into the body, or other applications intended to support or sustain life, or for any other application in which the failure of the SCILLC product could create a situation where personal injury or death may occur. Should Buyer purchase or use SCILLC products for any such unintended or unauthorized application, Buyer shall indemnify and hold SCILLC and its officers, employees, subsidiaries, affiliates, and distributors harmless against all claims, costs, damages, and expenses, and reasonable attorney fees arising out of, directly or indirectly, any claim of personal injury or death associated with such unintended or unauthorized use, even if such claim alleges that SCILLC was negligent regarding the design or manufacture of the part. SCILLC is an Equal Opportunity/Affirmative Action Employer. This literature is subject to all applicable copyright laws and is not for resale in any manner.